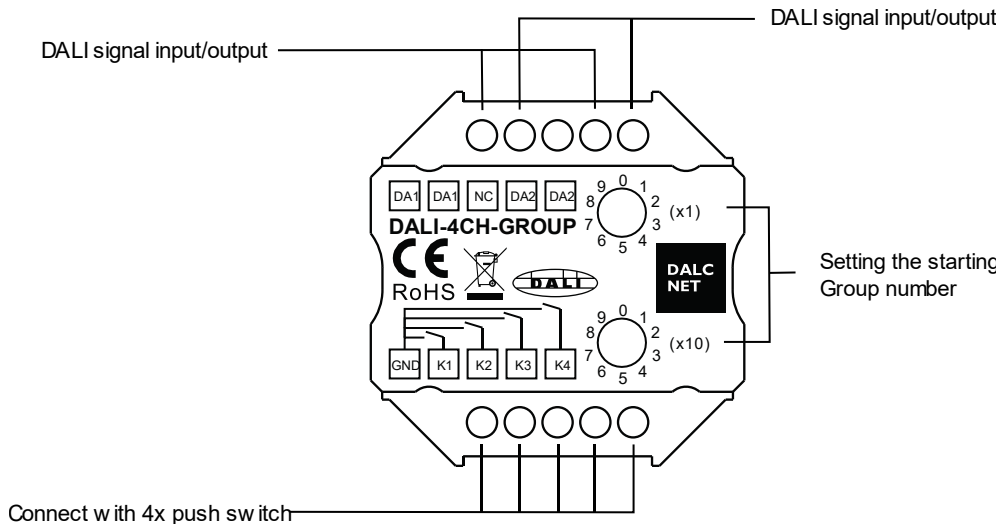


DALI-4CH-GROUP



Important: Read All Instructions Prior to Installation

Function Introduction



Product Data

Output Signal	DALI Signal
Power Supply	Provided by DALI bus
Power consumption	4 mA
Operating temperature	0-40°C
Relative humidity	8% to 80%
Dimensions	52x52x22,9 mm

- Standard DALI Master control 4 DALI Addresses
- Comply to DALI standard protocol IEC609229 and in compliance with DALI products from other international incorporation.
- With bus detective function, one channel DALI bus can install multiple dimming controllers.
- No external power supply which is provided by DALI bus. Consumption current is 4mA.
- Enable to select 4 different scene addresses for controlling by encoding switch.
- Controlled by external switch, convenient and flexible, with small size, it can be easily placed into 86 x 86 mm box

Safety & Warnings

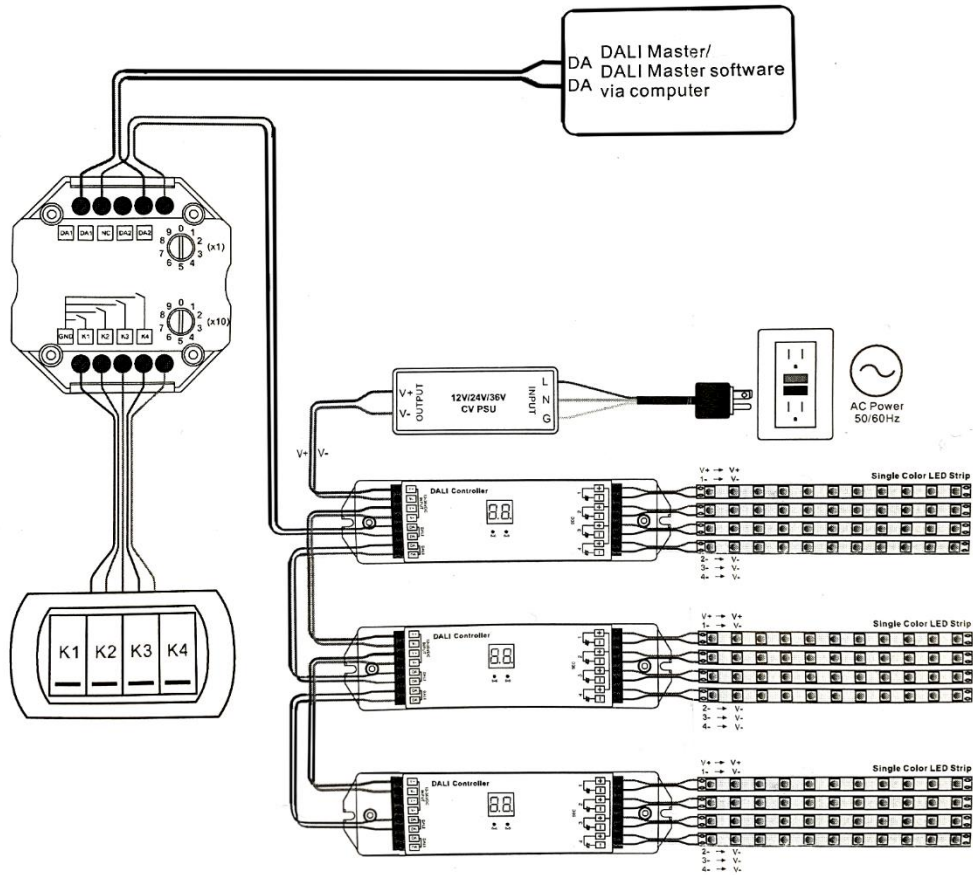
- DO NOT install with power applied device.
- DO NOT expose the device to moisture.

Operation

Set starting DALI address number for DALI masters

1. Set the starting number "X" on the DALI controller (with 64 dali addresses)
2. K1 control X group, K2 control X+1 group, K3 control X+2 group, K4 control X+3 group

Wiring diagram



Product Dimension

